

4

3

2

1

THIS DRAWING IS UNPUBLISHED.

RELEASED FOR PUBLICATION

LOC

DIST

REVISIONS

© COPYRIGHT - BY TYCO ELECTRONICS CORPORATION. ALL RIGHTS RESERVED.

G

14

P

LTR

DESCRIPTION

DATE

DWN

APVD

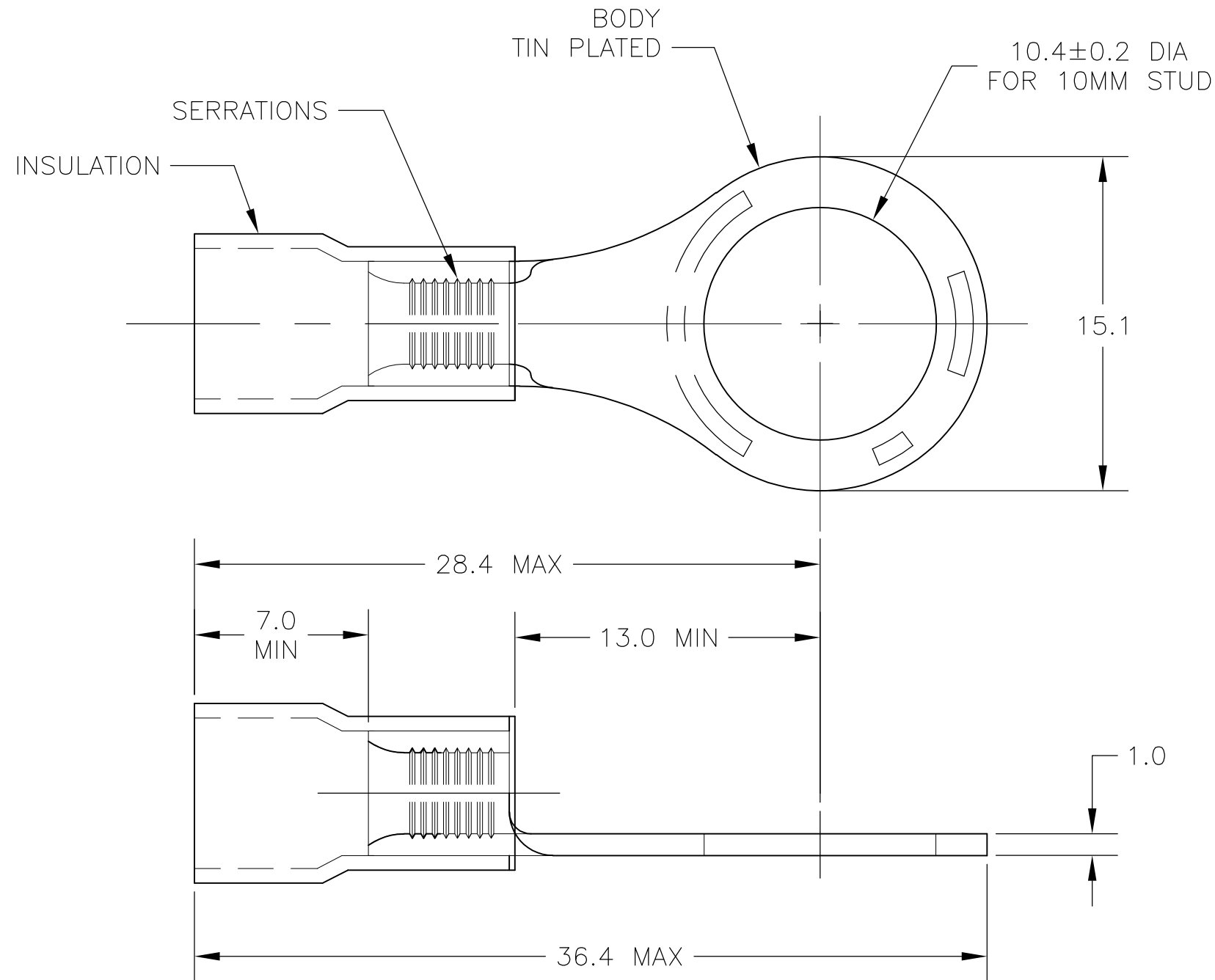
K2

REV PER ECR 08-007613

27MAR08

JR

TM



1 FOR 3.8 TO 6.3 WIRE INSULATION DIA.

160300
PART NO

THIS DRAWING IS A CONTROLLED DOCUMENT.		DWN jr_ruth 01FEB06	Tyco Electronics Corporation Harrisburg, PA 17105-3608	
DIMENSIONS: MM -INCHES-		CHK T MICHELUTTI 03OCT03	NAME TERMINAL, PLASTI-GRIP, RING TONGUE, WIRE SIZE: 12-10	
TOLERANCES UNLESS OTHERWISE SPECIFIED: 0 PLC ± - 1 PLC ± - 2 PLC ± 0.15 3 PLC ± - 4 PLC ± - ANGLES ± 1°		APVD T MICHELUTTI 03OCT03	PRODUCT SPEC - APPLICATION SPEC -	
MATERIAL -		FINISH -	WEIGHT -	RESTRICTED TO -
CUSTOMER DRAWING			SIZE A3	CAGE CODE 00779
SCALE 4:1			DRAWING NO G-160300	REV K2
SHEET 1 OF 1				